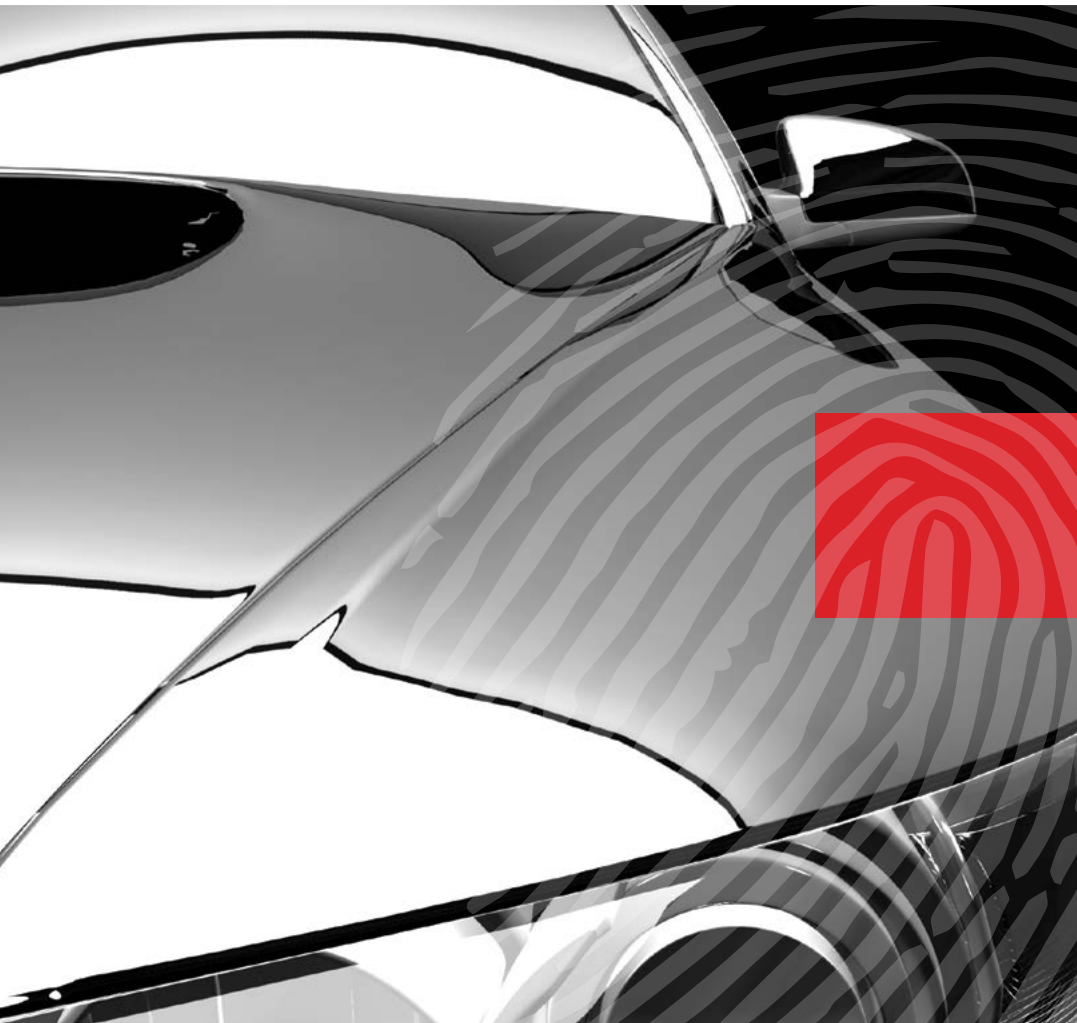


ENGINEERED ACCESS SOLUTIONS

southco[®]
CONNECT · CREATE · INNOVATE

Distinctive Touch Points for the Automotive Industry



Proven Automotive Design Solutions

Innovative New Technologies

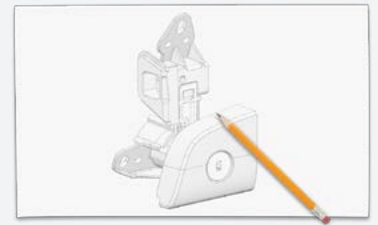
Southco's relationship with the Automotive industry spans decades of experience and innovation. We have a long history as a leading supplier of proven carryover designs and core mechanisms to OEMs and Tier 1s worldwide, including latching, fastening and positioning solutions. These proven solutions continue to serve as a platform for the development of next generation technologies, including electronic locks, positioning and wireless technologies.

Program Management from Concept to Production

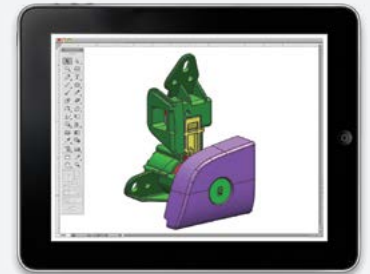
Southco provides total program management, from initial design and prototyping to logistics and service, offering:

- Engineer-to-engineer connectivity
- Drop-in solutions that save design time and suit high volume production
- Industry standard products to meet global compliance specifications
- Localized support with global supply and manufacturing presence

Functionality Meets Design



From sketch ...



...to CAD...



... to the finished high-end product.

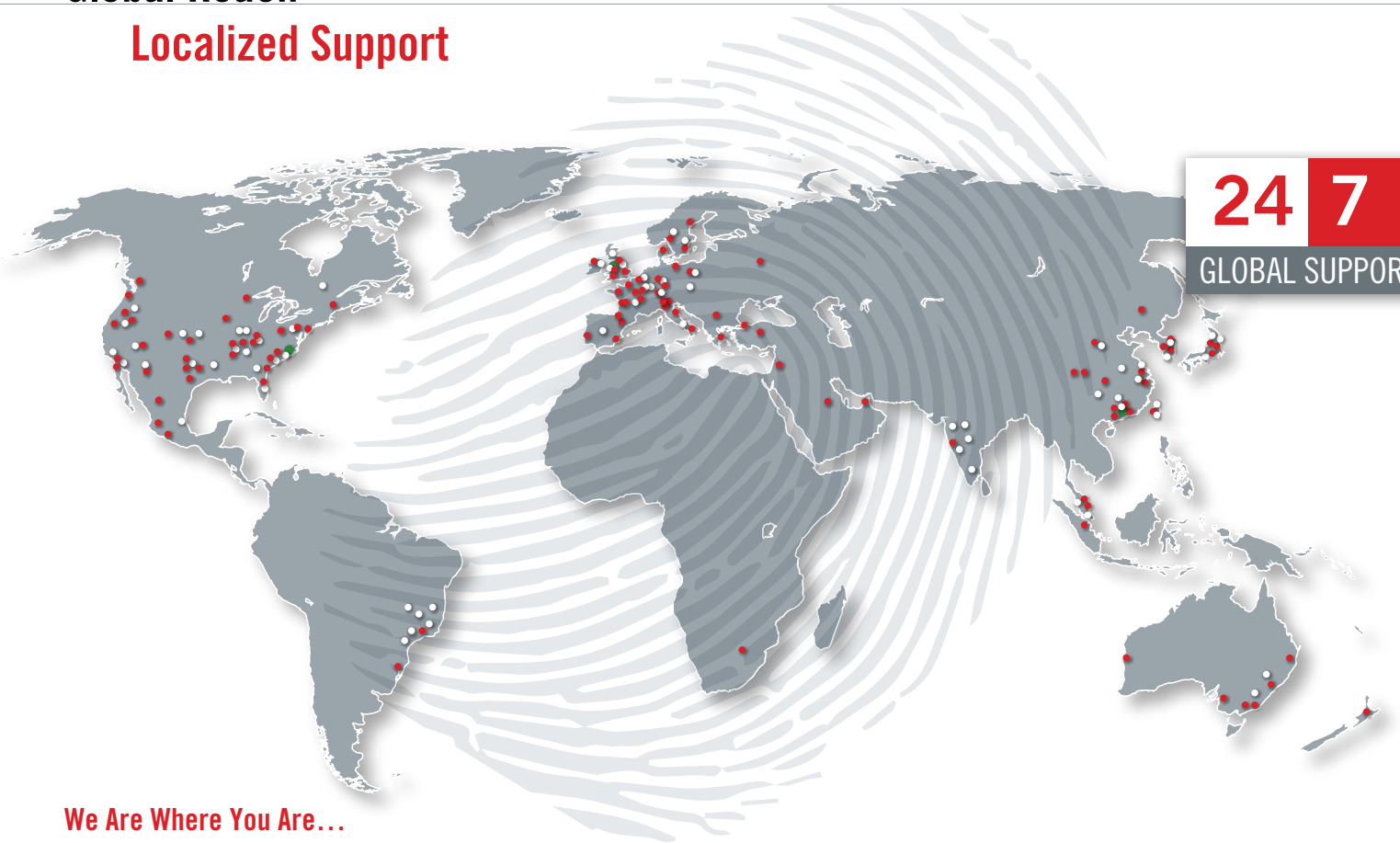


> Concept > Design/CAD > Prototype > Testing > Production > Validation > Logistics > Service >



Global Reach

Localized Support



We Are Where You Are...

Southco's global footprint positions us in Automotive design centers around the world.

- Sales, distribution, engineering and customer service in over 30 countries
- 17 manufacturing and stocking locations in 10 countries
- Seamless program integration into global vehicle platform development
- Core hardware portfolio for interior and exterior applications
- Cutting-edge product design and development for next generation automotive designs



Your Global Design Partner

Southco's international team of engineering experts are located in the Automotive industry's design, testing and manufacturing hubs worldwide.



Secure Latching Solutions for Glovebox and Center Console

Southco's Glovebox and Center Console Latches are designed with best-in-class features that aid in the assembly process, reduce labor time and eliminate tooling investment, making it a low risk, versatile option for integration into vehicle interior designs.



Single Point Rotary Latch

The Single Point Rotary Latch is the foundation product for secure, single point latching and provides a flexible, push-to-close option for glovebox and center console latching applications



Offset Single Point Rotary Latch

The Offset Single Point Rotary Latch is the ideal choice for glovebox and center console latching applications where the actuator is placed in a different position than the standard, centered location

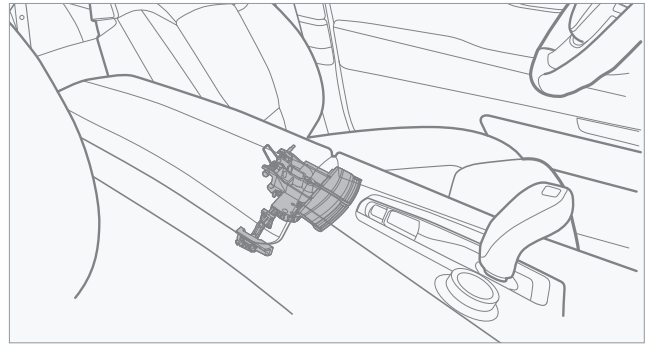
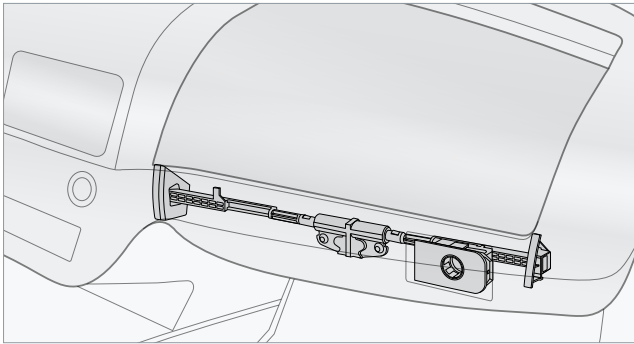


Best in Class

According to our top customers, Southco excels in on-time delivery, quality and operational excellence.

Dual Point Latching – Southco’s Coupler System

Southco’s Coupler series features a two-point, dependent pawl latching system which retracts both pawls simultaneously, allowing flexibility in actuation styles, reducing the risk of false latching and meeting industry requirements for redundant latching.



- The Standard Coupler is designed for larger storage panels and glovebox compartments
- Increased pawl engagement provides secure latching in dynamic environments
- Full line of tooled and validated pawl tips and guide bushings
- Cable driven systems and aluminum rods are available



- The Mid-Sized Coupler is a compact mechanism designed for smaller applications including:
 - Center consoles
 - Media bins
 - Cup holders
 - Small compartments
- Flexibility with dual access actuation



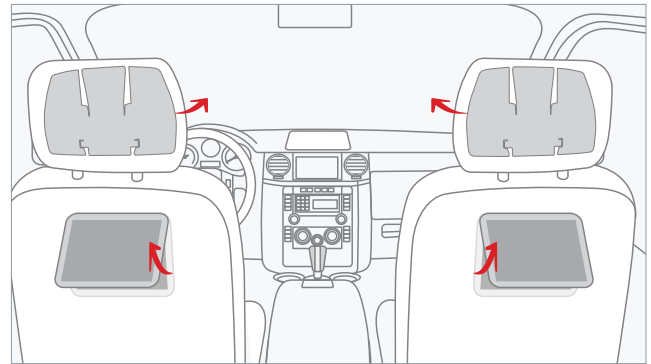
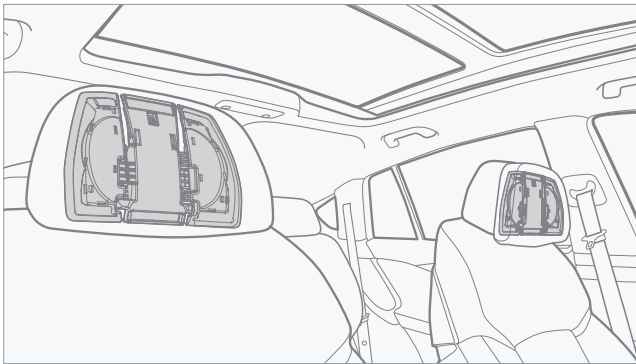
Design Flexibility

The Coupler series is compatible with a variety of actuation options including push-button, lift-paddle, side pull, locking, non-locking and electromechanical.



Positioning Technology for Passenger Safety and Convenience

Southco's line of positioning hinges and display mounting solutions ensures reliable, consistent functionality and promotes passenger comfort. Our validated positioning technologies offer enhanced ergonomic operation and are designed in compliance with Automotive industry safety requirements.



Headrest Solutions

Integrated torque hinges provide enhanced passenger comfort through smooth operation and better positioning of the headrest, allowing the end user:

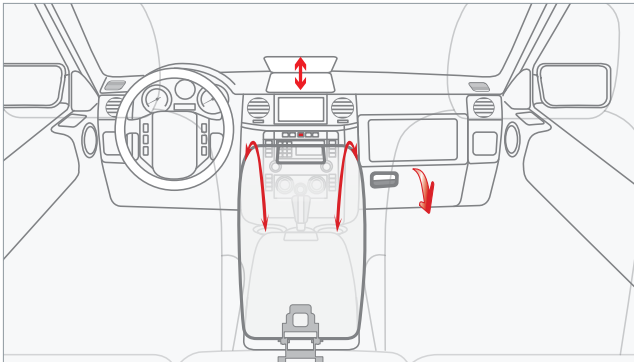
- Easy adjustment of the headrest wings to any position
- Support when resting their full weight against the headrest
- Headrest mobility that is unaffected by temperature changes

Display Mounts

Engineered display mounting solutions ensure optimum positioning of infotainment systems, whether attached to the headrest, seatback or instrument panel and:

- Provide consistent, one touch positioning
- Accommodate lighting changes and passenger height
- Eliminate the need for constant readjustment

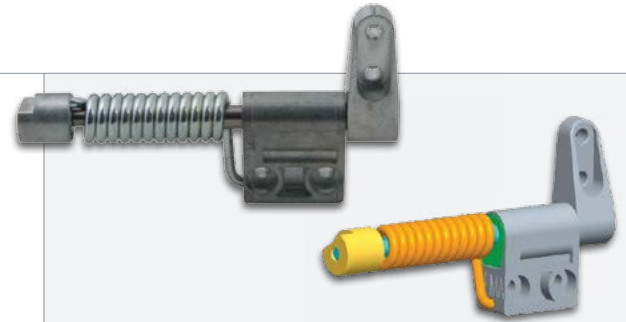




Center Console Hinging

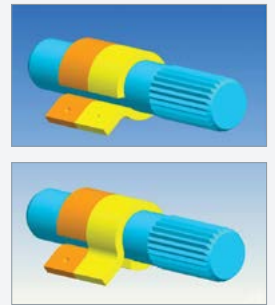
Position control technology provides smooth operating efforts for effortless opening and closing of the center console lid, allowing the passenger to:

- Hold a center console lid or inner tray steady at any position
- Stop and lock the center console lid into a predetermined position
- Easily open heavier lids and panels



The Physics Behind Controlled Torque Devices.

Today's precision position control hinges use specially shaped bands or sickle torque elements that apply radial pressure against a shaft to create friction between the two surfaces. By utilizing a variety of shaft and torque element combinations with different alloy steels, heat treating, lubricants, and assembly processes, these devices are able to deliver a wide range of capabilities with more precise tolerances for consistent torque control and long-lasting performance.



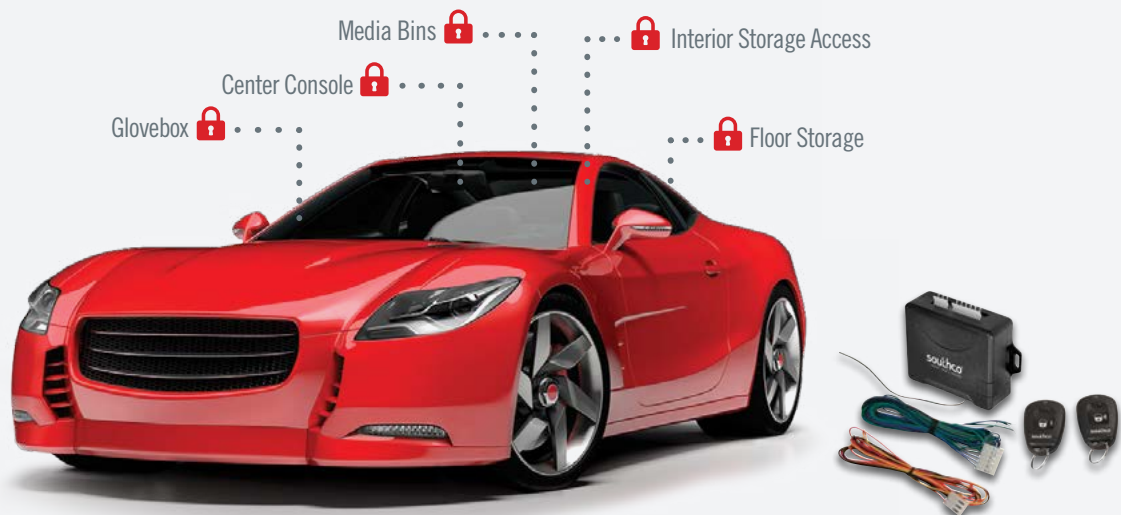
Electronic Locking Technologies for Automotive Interiors

Electronic access combines physical security with electronic intelligence to protect valuable assets and information. In automotive interiors, electronic locking mechanisms can be networked directly into a vehicle's electrical system to secure gloveboxes, media bins and other storage areas.

Electronic locking technology offers the following benefits:

- Enhanced user convenience
- Improved interior styling
- Simplified integration and installation
- Elimination of interior lockplugs

When combined with the same electronic locking technology as car entry systems, Bluetooth technology can also be used to further enhance security.

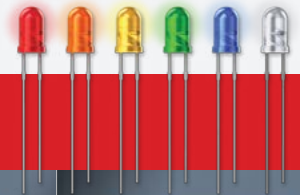


Next Gen Thinking

Leading the Way in Innovation



Southco has a proven history in driving innovation and next generation technologies to enhance the passenger experience. With Southco's team of engineers and broad offering of new technology products, the possibilities in taking your vehicle to the next level and improving the passenger experience are endless.



Automotive Lighting Concepts

Designers are using new concepts like illuminated LED interior lighting to appeal to unique driver preferences, allowing more customization of the driving environment, and opening up new possibilities for lighting upgrades in seating, console and interior body panel design.



Mobile Offices on the Go

In-vehicle wireless hot spots allow drivers to take their work on the road, creating the need for new design features including:

- Folding desk surfaces
- Adjustable monitors and tablet holders
- Storage for computer accessories



Driverless Cars are Coming

Autonomous cars allow drivers to keep both hands free, offering endless possibilities for expanded interior options and features such as:

- Streaming video conferencing
- Vehicle office amenities
- Monitor displays



Proven Touch Points that Enhance Automotive Applications

> Innovative Mechanical Latching Solutions

> Gloveboxes



> Center Console



> Cargo, Luggage and Storage Compartments

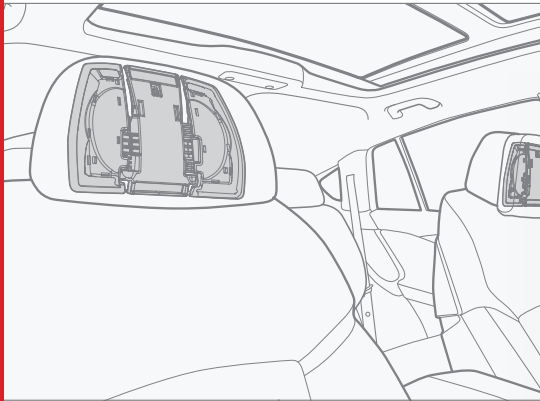
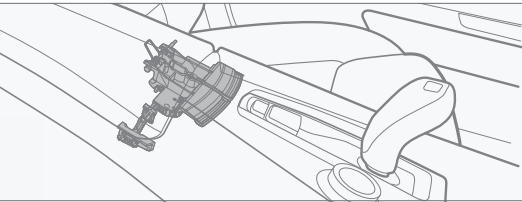


> Underbody and Under Hood Service



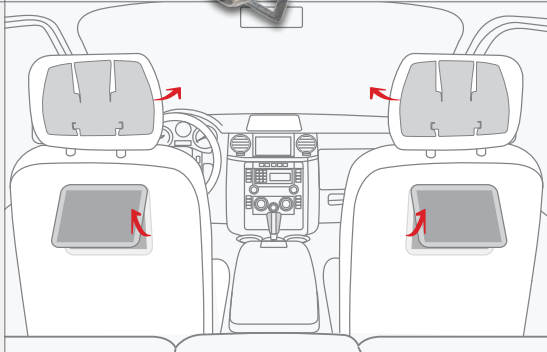
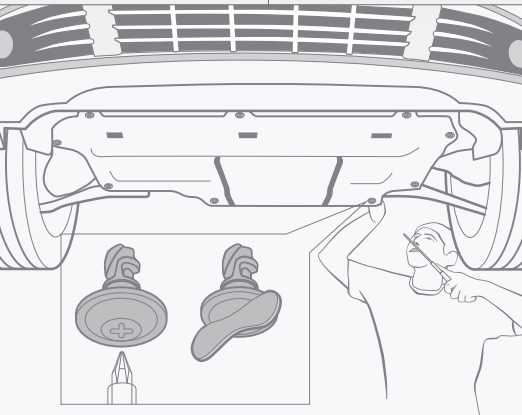
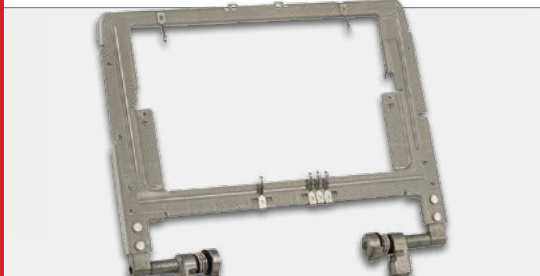
> Position Technology Solutions for Around the Vehicle

> Center Console, Arm Rests and Storage



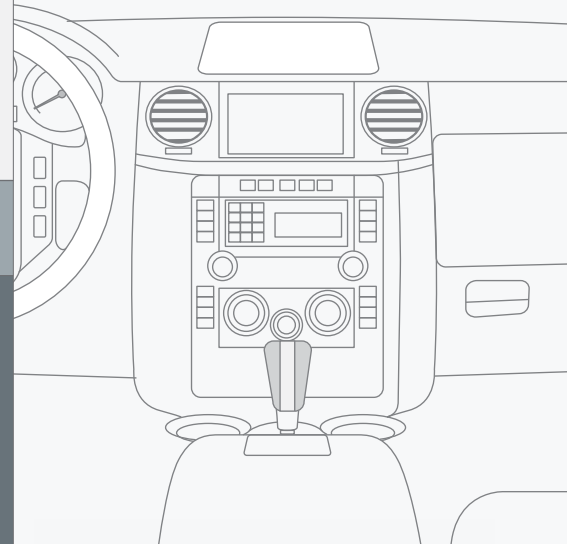
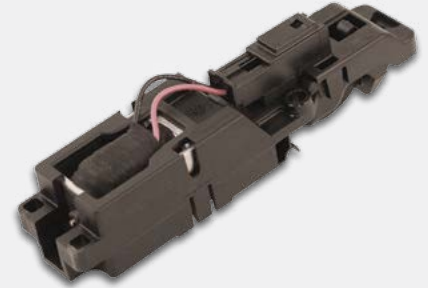
Panels

> Infotainment Mounts and Frames



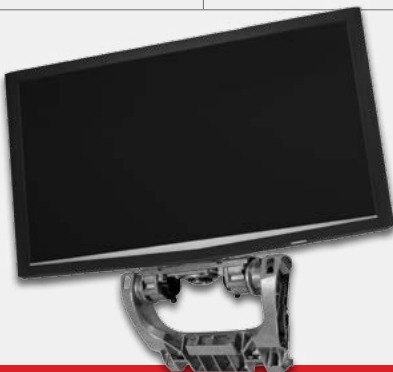
> Electronic Latching Solutions

> Glovebox, Center Console, Media Bins



> Visit My Southco

Are you interested in CAD Downloads, sample requests or Handbooks? Visit My Southco and get registered.



Versatile Solutions

Spanning the Transportation Segment

The quality and flexibility of Southco's touch points allows them to be used in applications across many different industries. The robust and versatile design of our solutions makes Southco an ideal choice across all segments of transportation equipment manufacturing.

Aerospace

From cockpit to cabin, Southco's products are designed into a wide range of interior and exterior aircraft applications. Our broad offering of engineered access solutions meets Aerospace industry requirements for strength and durability, enhances passenger comfort and provides an extra layer of safety and security.



Trucks

As new design trends pioneered by the Automotive industry are adopted across the transportation segment, medium-heavy truck manufacturers are following suit. From secure glovebox latching to ergonomic headrests and AV display mounts, the passenger experience is a key priority in truck design.



Mass Transit

Southco has been the trusted supplier for leading bus and railcar OEMs and Tier 1 suppliers for decades, and understands the unique design challenges and requirements of the Mass Transit industry. Our global expertise, strong supply and manufacturing presence and program management capabilities enables compliance with the latest passenger safety standards.





Southco Customer Service and Technical Support

Americas Global Headquarters
Concordville, PA · USA
Tel: (1) 610 459 4000

Europe Headquarters
Worcester · UK
Tel: (44) (0) 1905 346722

Asia Headquarters
Hong Kong · China
Tel: (852) 3127 1503

Brazil Tel: (55 11) 4617 9988
Canada Tel: (1) 905 855 0309
Mexico Tel: (1) 877 821 0666
USA Tel: (1) 610 459 4000

Austria Tel: 0800 281 831
France Tel: 0800 912 756
Germany Tel: 0800 1800 380
Italy Tel: 800 780 953
Spain Tel: 900 968917
Sweden Tel: 020 790 366
UK & NI Tel: 0845 117 922

Australia Tel: (61) 03 9330 5000
China Tel: (800) 820 0272
Tel: (400) 880 8900
India Tel: (91) (21) 3867 0538
Japan Tel: (81) 6 6466 1200
Korea Tel: 0505 777 1234
Malaysia Tel: 1800 801 119
Singapore Tel: 800 18 11016
Taiwan Tel: 0800 558 015



Fast Answers 24/7
info@southco.com

Visit www.southco.com for all your Access Hardware needs



Download CAD Files

Validate your product selection in your own CAD design with our industry standard CAD models.



Request Samples

Take the next step by ordering product samples to test in your design.



Check Stock

Confirm product inventory and lead time with our global support team.



Order Print Catalog

Request your FREE Southco Handbook to access over 500 full color pages with detailed specifications, part numbers and performance details.



Access Online Catalog

Quickly narrow your selection, bookmark content and share it with our full text search feature.



User Account

Create and share projects with others, save CAD files, compare products, and more.



Compliance Statements

Verify compliance statements for products, materials and manufacturing processes.



Online Chat

Need assistance? Chat with our global customer service team online for on demand support.

WORLDWIDE MANUFACTURING AND STOCKING LOCATIONS

Concordville, Pennsylvania, USA ■ Honeoye Falls, New York, USA ■ Philadelphia, Pennsylvania, USA ■ Chihuahua, Mexico ■ Tecate, Mexico ■ São Paulo, Brazil
Farnham, UK ■ Worcester, UK ■ Hong Kong, China ■ Shenzhen, China ■ Shanghai, China ■ Seoul, Korea ■ Melbourne, Australia ■ Pune, India ■ Osaka, Japan